

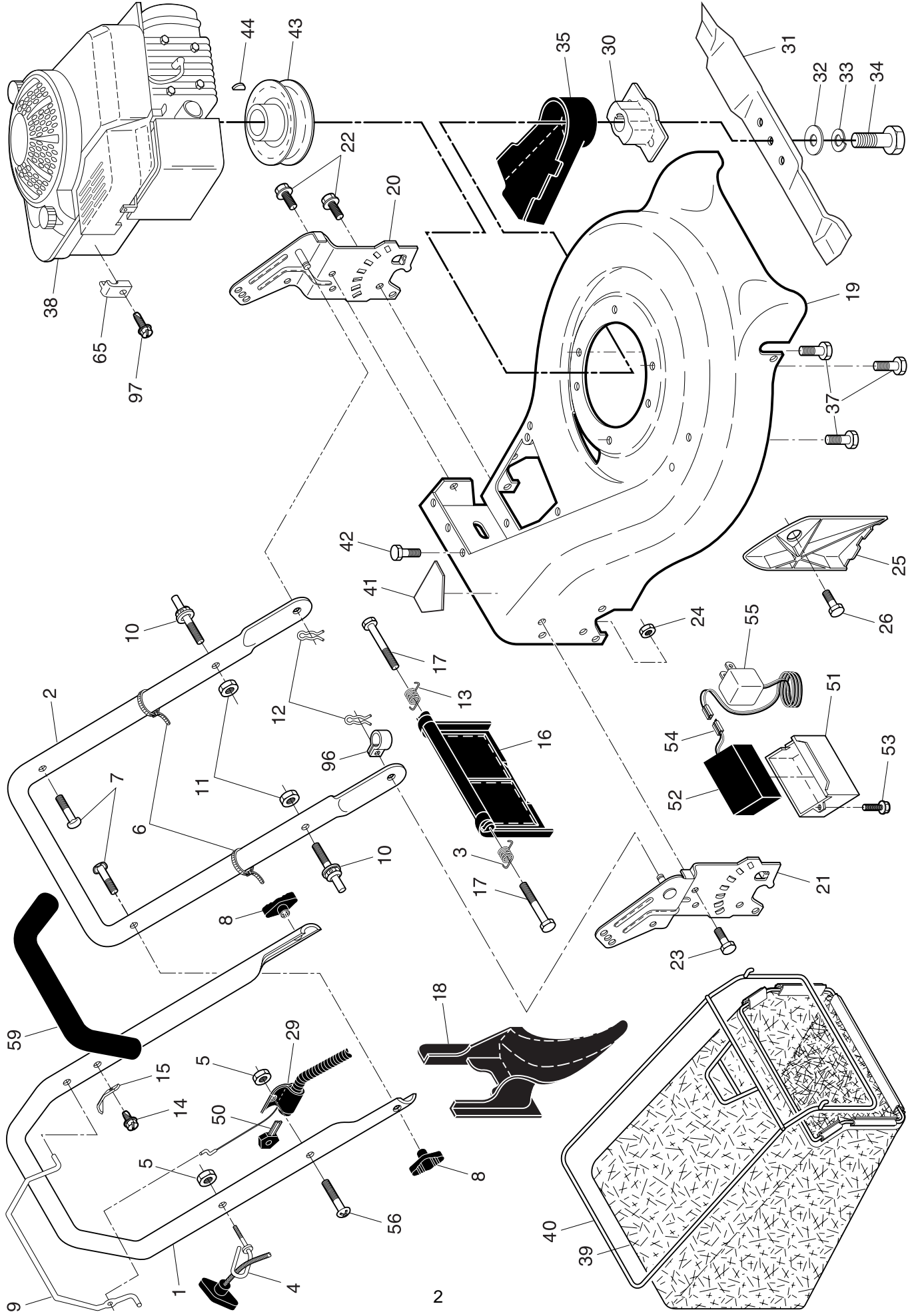
**ILLUSTRATED PARTS LIST**

**CUSTOMER MODEL NUMBER 553CME**

**PRODUCT NUMBER 961 41 00-14**

**MFG. ID. NUMBER 96141001400**

ROTARY LAWN MOWER -- CUSTOMER MODEL NO. 553CME (96141001400) PRODUCT NO. 961 41 00-14



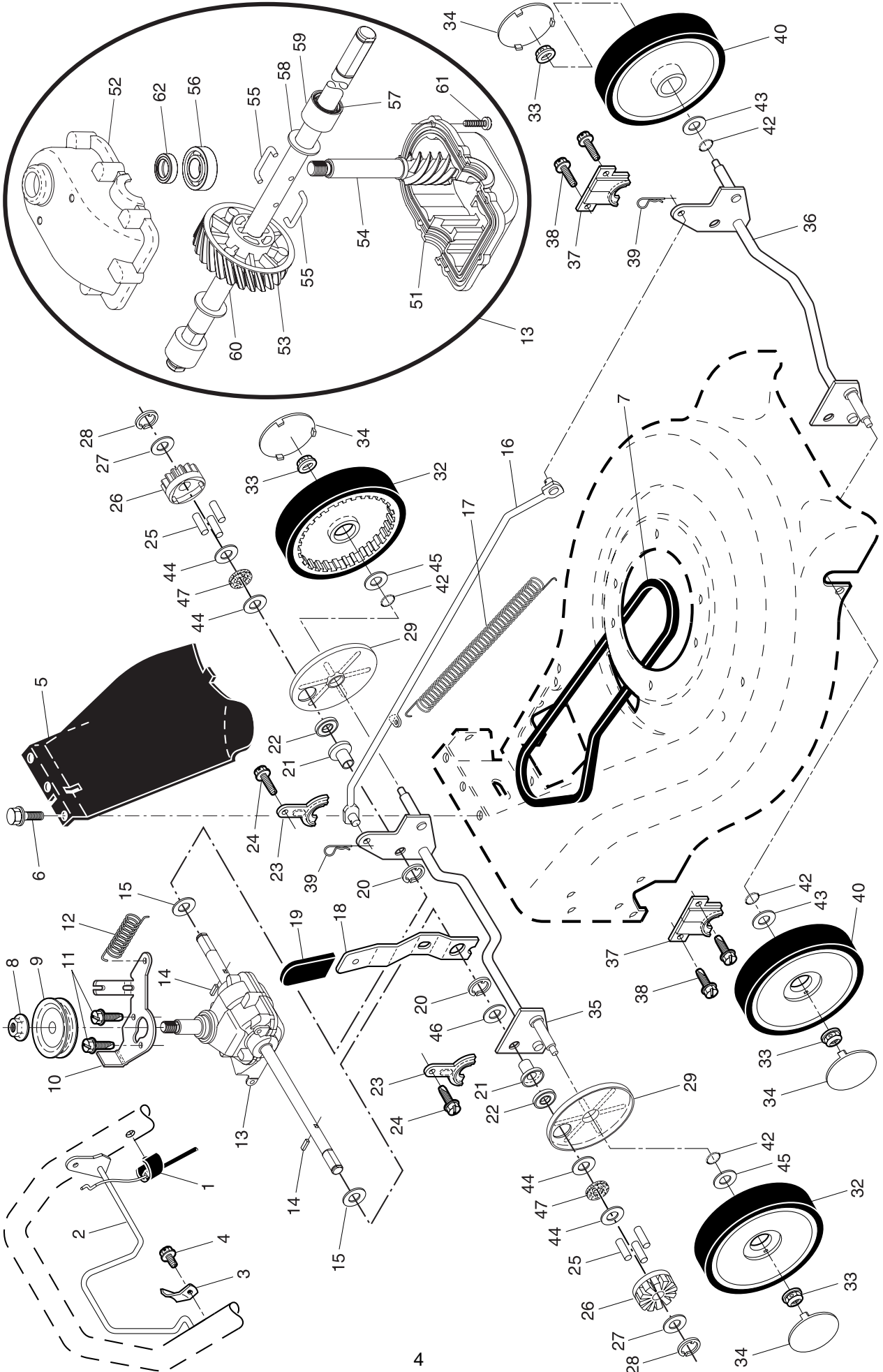
# ROTARY LAWN MOWER - - CUSTOMER MODEL NO. 553CME (96141001400) PRODUCT NO. 961 41 00-14

| KEY NO. | PART NO.            | DESCRIPTION                                  | KEY NO. | PART NO.            | DESCRIPTION   |
|---------|---------------------|--|---------|---------------------|---|
| 1       | 532 17 80-67        | Handle, Upper, Deluxe Comfort                | 32      | 532 85 10-74        | Washer, Hardened  |
| 2       | 532 19 60-05        | Handle, Lower                                | 33      | 532 85 02-63        | Lockwasher, Helical Spring 3/8  |
| 3       | 532 18 60-53        | Spring, Rear Door, RH                        | 34      | 532 85 10-84        | Screw, Hex Head 3/8-24 x 1.38   |
| 4       | 532 17 95-85        | Guide, Rope, Side                            | 35      | 532 18 91-85        | Shield, Debris  |
| 5       | 532 13 20-04        | Nut, Hex, with Lockwasher Insert 1/4-20      | 37      | 532 15 04-06        | Bolt, Engine  |
| 6       | 532 06 64-26        | Wire, Tie                                    | 38      | - - -               | Engine, Briggs & Stratton, Model No. 12F803<br>(Order parts from engine manufacturer) |
| 7       | 532 19 15-74        | Bolt, Handle 5/16-18 x 1.75                  | 39      | 532 19 49-68        | Bag, Grass Catcher  |
| 8       | 532 19 19-38        | Knob, Handle                                 | 40      | 532 18 88-17        | Frame, Grass Bag  |
| 9       | 532 19 18-19        | Bail, Control, Wire, Deluxe Comfort, Black   | 41      | 532 18 21-66        | Decal Danger  |
| 10      | 532 18 88-21        | Bolt, Carriage                               | 42      | 532 05 45-83        | Screw, Self Tapping   |
| 11      | 873 99 05-00        | Nut, Hex, with Lockwasher Insert 5/16-18 UNC | 43      | 532 18 49-41        | Pulley, Engine  |
| 12      | 532 05 17-93        | Cotter, Hairpin                              | 44      | 532 18 77-23        | Key, Hi-Pro   |
| 13      | 532 18 60-52        | Spring, Rear Door, LH                        | 50      | 532 18 03-31        | Key (set of 2)  |
| 14      | 532 12 51-62        | Bracket, Upstop                              | 51      | 532 16 13-34        | Box, Battery  |
| 15      | 532 75 06-34        | Screw, Tapping, Hex Washer Head #10-24       | 52      | 532 75 09-09        | Battery   |
| 16      | 532 19 05-74        | Rear Door Assembly                           | 53      | 817 41 13-12        | Screw, Hex Washer Head #13 x .75  |
| 17      | 532 18 41-93        | Bolt, Rear Door                              | 54      | 532 08 63-53        | Mounting Clip, Connector  |
| 18      | 532 18 75-35        | Plug, Mulcher                                | 55      | 532 19 24-36        | Charger, Battery  |
| 19      | <b>532 19 93-20</b> | Kit, Lawn Mower Housing Assembly             | 56      | <b>532 18 61-59</b> | Screw   |
| 20      | 532 19 40-29        | Handle Bracket Assembly, LH                  | 57      | 532 75 11-52        | Nut, Hex  |
| 21      | 532 19 40-31        | Handle Bracket Assembly, RH                  | 59      | 532 16 42-65        | Grip, Handle, Foam, Smooth  |
| 22      | 532 15 00-78        | Screw, Hex Washer Head                       | 65      | 532 11 11-90        | Cable Clamp   |
| 23      | 532 16 31-83        | Bolt, Hex Head 5/16-18 x 5/8                 | 96      | 532 19 27-70        | Clip, Cable   |
| 24      | 873 80 05-00        | Nut, Hex, with Lockwasher Insert 5/16-18     | 97      | 532 08 38-16        | Screw   |
| 25      | 532 16 13-33        | Baffle, Side                                 | - -     | 532 18 21-34        | Warning Decal   |
| 26      | 532 16 34-09        | Screw #12 x 5/8                              | - -     | 532 19 50-58        | Operator's Manual, European   |
| 29      | <b>532 19 49-53</b> | Key Start Switch (Includes 2 Keys)           | - -     | 532 19 50-62        | Operator's Manual, Scandinavian   |
| 30      | 532 18 45-90        | Adapter, Blade                               | - -     | <b>532 19 68-72</b> | Operator's Manual, East Bloc  |
| 31      | 532 17 50-52        | Blade, 21"                                   |         |                     |   |

**NOTE:** All component dimensions given in U.S. inches. 1 inch = 25.4 mm

**IMPORTANT:** Use only Original Equipment Manufacturer (O.E.M.) replacement parts. Failure to do so could be hazardous, damage your lawn mower and void your warranty.

ROTARY LAWN MOWER -- CUSTOMER MODEL NO. 553CME (96141001400) PRODUCT NO. 961 41 00-14



**ROTARY LAWN MOWER - - CUSTOMER MODEL NO. 553CME (96141001400) PRODUCT NO. 961 41 00-14**

| KEY NO. | PART NO.     | DESCRIPTION                              | KEY NO. | PART NO.     | DESCRIPTION                               |
|---------|--------------|--|---------|--------------|---|
| 1       | 532 18 76-26 | Cable, Drive                             | 29      | 532 18 94-03 | Cover, Dust, Wheel                        |
| 2       | 532 16 14-73 | Bail, Control, Drive                     | 32      | 532 18 80-42 | Wheel & Tire Assembly, Rear, Driven 9 x 2 |
| 3       | 532 16 45-57 | Bracket, Downstop                        | 33      | 532 08 39-23 | Nut, Hex, Flangelock                      |
| 4       | 532 75 06-34 | Screw, Tapping, Hex Washer Head #10-24   | 34      | 532 18 63-06 | Hubcap                                    |
| 5       | 532 19 66-99 | Cover, Drive                             | 35      | 532 19 60-16 | Shaft Assembly, Rear                      |
| 6       | 532 75 06-34 | Screw, Threaded, Rolled #10-25 x .50     | 36      | 532 19 60-15 | Shaft Assembly, Front                     |
| 7       | 532 16 08-16 | V-Belt                                   | 37      | 532 16 14-63 | Retainer, Front Shaft                     |
| 8       | 532 13 20-10 | Nut, Hex, Flangelock, Zinc Plated 3/8-16 | 38      | 532 16 34-09 | Screw #12 x 5/8                           |
| 9       | 532 16 39-39 | Pulley, Driven                           | 39      | 532 70 02-79 | Clip, Retainer                            |
| 10      | 532 16 45-53 | Belt Keeper                              | 40      | 532 15 03-48 | Wheel & Tire Assembly, Front 8 x 2        |
| 11      | 817 54 10-11 | Screw, Hex Washer Head #10-24 x .668     | 42      | 532 18 81-52 | O-Ring                                    |
| 12      | 532 18 76-27 | Spring                                   | 43      | 532 08 83-48 | Washer, Flat 3/8                          |
| 13      | 532 16 96-11 | Gearcase Assembly, Complete              | 44      | 532 06 23-35 | Belleville Washer 1/2                     |
| 14      | 532 14 53-54 | Pin, Spring, Thrust                      | 45      | 532 06 77-25 | Washer 1/2 x 1-1/2 x .134                 |
| 15      | 532 05 70-79 | Washer, Hardened                         | 46      | 819 57 22-16 | Washer                                    |
| 16      | 532 16 15-84 | Rod, Connecting                          | 47      | 532 08 81-18 | Felt Washer                               |
| 17      | 532 16 16-02 | Spring, Extension                        | 51      | 532 18 75-30 | Case, Lower                               |
| 18      | 532 19 61-62 | Spring, Selector                         | 52      | 532 19 12-45 | Case, Upper                               |
| 19      | 532 19 00-69 | Knob, Selector Spring                    | 53      | 532 18 75-32 | Gear, 24 Teeth                            |
| 20      | 812 00 00-22 | E-Ring 7/8                               | 54      | 532 18 75-33 | Shaft, Worm                               |
| 21      | 532 16 33-65 | Bearing Support                          | 55      | 532 18 35-05 | Wireform                                  |
| 22      | 532 16 99-11 | Bearing, Ball                            | 56      | 532 18 35-06 | Bearing, Ball                             |
| 23      | 532 16 45-55 | Retainer, Drive Assembly                 | 57      | 532 18 35-08 | Seal, Output Shaft                        |
| 24      | 532 05 78-08 | Screw, Tapping, Hex Head 1/4-20 x .75    | 58      | 532 18 35-09 | Washer                                    |
| 25      | 532 17 00-11 | Drive Pawl                               | 59      | 532 18 35-11 | Bushing                                   |
| 26      | 532 16 64-50 | Pinion, Drive                            | 60      | 532 19 12-48 | Shaft, Output                             |
| 27      | 532 05 21-60 | Washer, Shim (as required)               | 61      | 532 18 35-13 | Screw                                     |
| 28      | 812 00 00-58 | E-Ring 7/16                              | 62      | 532 18 35-14 | Seal, Worm Shaft                          |

**NOTE:** All component dimensions given in U.S. inches. 1 inch = 25.4 mm

**IMPORTANT:** Use only Original Equipment Manufacturer (O.E.M.) replacement parts. Failure to do so could be hazardous, damage your lawn mower and void your warranty.